



**ORANGE PIT** bv

## Strong Excavator Dredgers



The OrangePit StrongExcavatorDredge with both water jet and cutter function can be used in soft and hard layers for the cleaning of rivers and ponds.

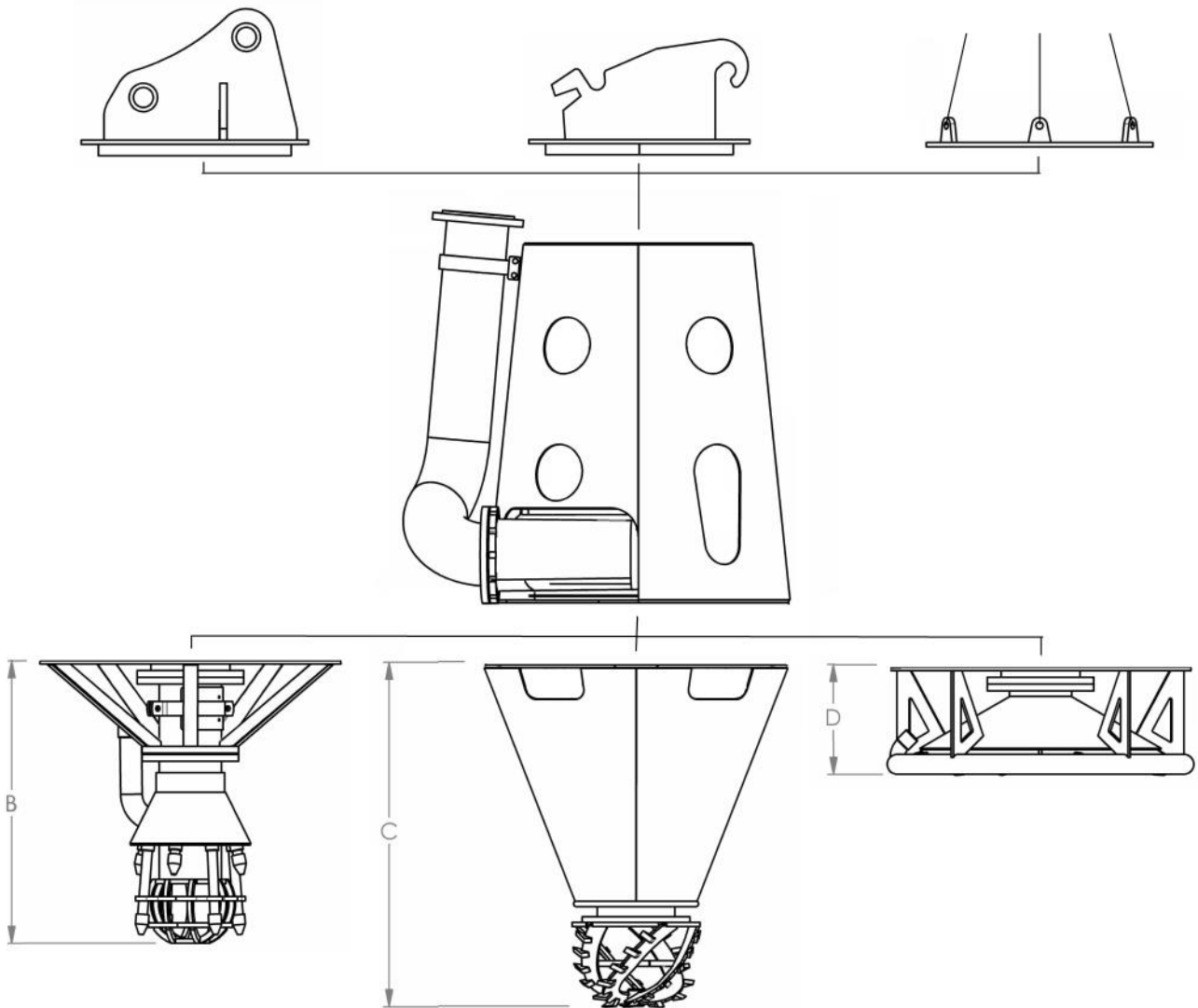
High productions are achieved with the submersible dredge pump which is located on the end of excavator jib to generate the highest efficiency. Another advantage of this excavator solution is the possibility for the changing of the dredge system during work from suction to cutter to grab or even ripper mode. This versatile dredging solution is the perfect machine to dredge in an environment with changing soil conditions like for example river alluvial mining.

<b>StrongExcavatorDredger range:</b>		<b>12 / 150</b>	<b>12 / 200</b>	<b>12 / 250</b>	<b>12 / 300</b>	<b>12 / 350</b>
Suction depth up to	[m]	12	12	12	12	12
Mixture	[m <sup>3</sup> /hr]	450	850	1250	1900	2300
Solid material*	[m <sup>3</sup> /hr]	58	109	160	244	295
Solid material*	[ton/hr]	101	191	281	427	517
Total power**	[kW]	100	185	255	425	470
Suction pipe Ø	[mm]	200	200	250	300	350
Delivery pipe Ø	[mm]	150	200	250	300	350
Spherical passage	[mm]	100	110	130	150	190
Waterjet flow	[m <sup>3</sup> /hr]	100	150	200	250	250
Waterjet pressure	[bar]	7	7	7	7	8
Cutter diameter	[mm]	8	450	550	650	700
Dry weight pump unit	[ton]	1.1	1.6	2.5	4.0	4.3
Excavator weight	[ton]	14	25	34	70	70
Dimensions	[m]	Custom	Custom	Custom	Custom	Custom
*Solid material = 70% < 2 mm 20% 2 - 32 mm 10% > 32 mm **Power = A-rating or Electric						
<b>Options:</b>						
Cutter		Option	Option	Option	Option	Option
Water jet		Option	Option	Option	Option	Option
Barge		Option	Option	Option	Option	Option
Auger		Option	Option	Option	Option	Option
Hydropack		Option	Option	Option	Option	Option
Waterpump		Option	Option	Option	Option	Option

**Dutch Dredging Expertise - All Around Dredging**

# StrongExcavatorDredgers

Main dimensions:



## RELATED ORANGEPIT PRODUCTS:



StrongFloats



StrongPumps



StrongServices



StrongWorkboats



Nijverheidsstraat 1a  
NL-4283 GW GIESSEN  
The Netherlands

Phone : +31 (0)6 46 05 09 80  
Web : [www.orangepit.nl](http://www.orangepit.nl)  
E-Mail : [moreinfo@orangepit.nl](mailto:moreinfo@orangepit.nl)

All our quotations, all orders placed with us and all contracts concluded with us, are subject to the METAALUNIE CONDITIONS, as they read according to the text printed on the back. These conditions are filed with the registrar of the District Court of Rotterdam. Upon request, the conditions of delivery and payment will be sent to you for free as well.